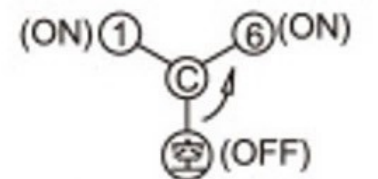


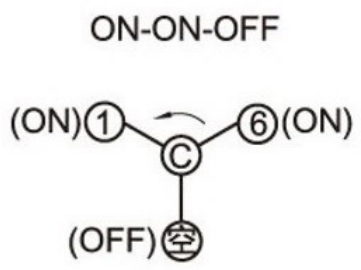
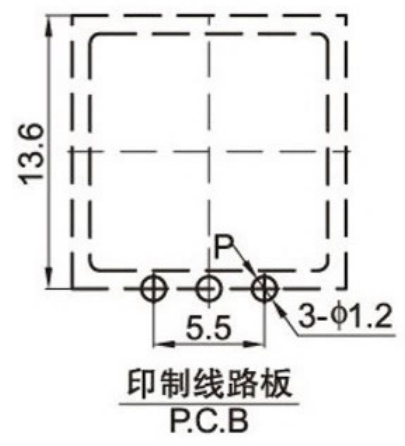
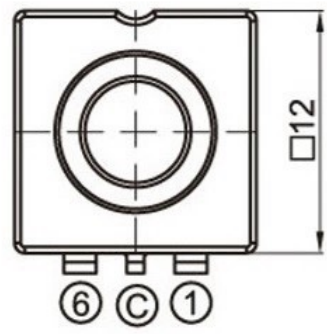
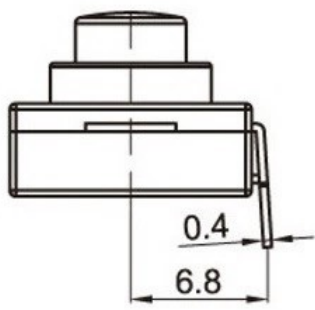
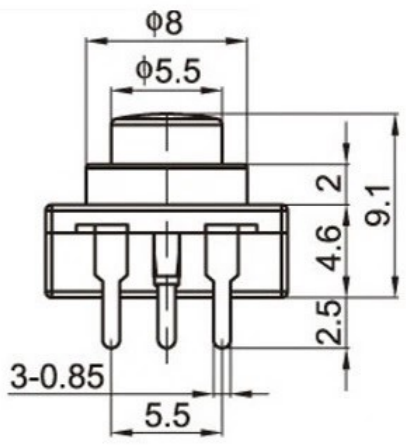
印制线路板
P.C.B



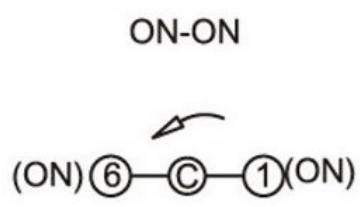
ON-ON-OFF
SCHEMATIC (NON-SHORTING)

注：“*”□表示关键尺寸(3个)。

8					TOLERANCE				
7					UNLESS SPECIFIED				
6					WITHIN 1.5mm : ±0.1mm	A	2012-8-13	初版	
5	SPRING	SUS	1	NATURAL	OVER 1.5mm : ±0.2mm	ISSUE	DATE	DESCRIPTIONS OF REVISION	
4	CAM STICK	SUS	1	NATURAL	TITLE : VERTICAL PUSH SWITCH		UNIT : mm	DRWG NO.:	
3	CASE	PA66/BRASS STRIP	1	GREY/Ag PLATED	MODEL:		SCALE: 5:1	DWN.	2012-8-13
2	COVER	PA66	1	BLACK	东莞市高迪电子有限公司		APPD.		2012-8-13
1	KNOB	PA66/PBS C5210R-EH	1	WHITE/Ag CLAD			CHK'D		
NO.	PARTS	MATERIALS	Q'TY				APPD.		



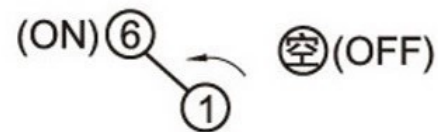
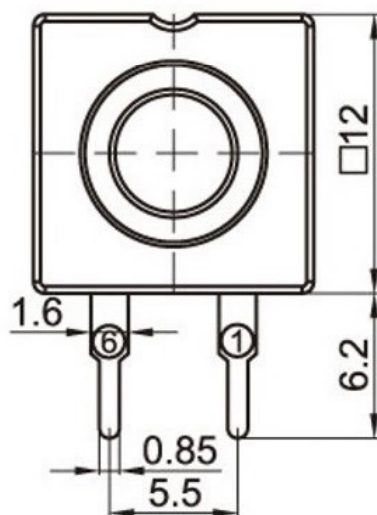
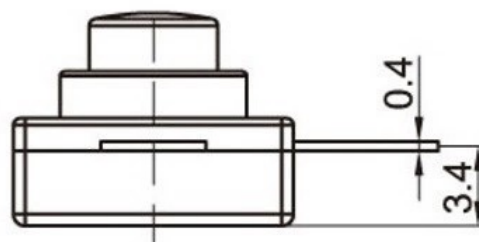
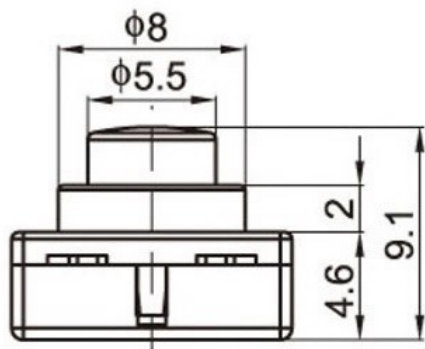
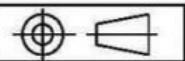
YT-CB1212-213YB



YT-CB1212-23YB

注：“*”□表示关键尺寸(3个).

8					TOLERANCE				
7					UNLESS SPECIFIED				
6					WITHIN 1.5mm : ±0.1mm	A	2012-8-13	初版	
5	SPRING	SUS	1	NATURAL	OVER 1.5mm : ±0.2mm	ISSUE	DATE	DESCRIPTIONS OF REVISION	
4	CAM STICK	SUS	1	NATURAL	TITLE : VERTICAL PUSH SWITCH		UNIT : mm	DRWG NO.:	
3	CASE	PA66/BRASS STRIP	1	GREY/Ag PLATED	MODEL:		SCALE: 5:1	DWN.	2012-8-13
2	COVER	PA66	1	BLACK	东莞市高迪电子有限公司		CHK'D		2012-8-13
1	KNOB	PA66/PBS C5210R-EH	1	WHITE/Ag CLAD			APPD.		
NO.	PARTS	MATERIALS	Q'TY						



ON-OFF

SCHEMATIC (NON-SHORTING)

注：“*”□表示关键尺寸(3个)。

NO.	PARTS	MATERIALS	Q'TY		TOLERANCE UNLESS SPECIFIED						
8											
7											
6					WITHIN 1.5mm : ±0.1mm	A	2012-8-13	初版			
5	SPRING	SUS	1	NATURAL	OVER 1.5mm : ±0.2mm	ISSUE	DATE	DESCRIPTIONS OF REVISION	APPD.		
4	CAM STICK	SUS	1	NATURAL	TITLE : VERTICAL PUSH SWITCH				UNIT : mm	DRWG NO.:	
3	CASE	PA66/BRASS STRIP	1	GREY/Ag PLATED	MODEL:				SCALE: 5:1	DWN.	2012-8-13
2	COVER	PA66	1	BLACK	东莞市高迪电子有限公司				CHK'D	2012-8-13	
1	KNOB	PA66/PBS C5210R-EH	1	WHITE/Ag CLAD					APPD.		